

ANOVA

PRECISION[®] OVEN

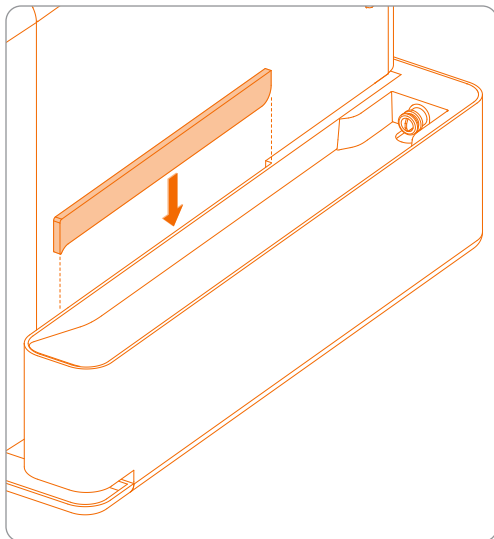
WATER TANK COVER

INSTALLATION

RUBBER GASKET

The rubber gasket is designed to assist in re-directing steam away from the water tank.

- ▶ Remove your water tank by grabbing the front of the tank and sliding towards you slowly and set aside.
- ▶ With the wide flat side of the rubber gasket facing out (towards the tank area) place it against the side of the oven.
- ▶ Lower down into the groove between the side of the oven and the tank base and press it in, ensuring the back of the gasket is flush with the back of the groove
- ▶ The gasket was designed to be a tight fit, so apply light but firm pressure until the top of the gasket is even with the top surface of the tank base.

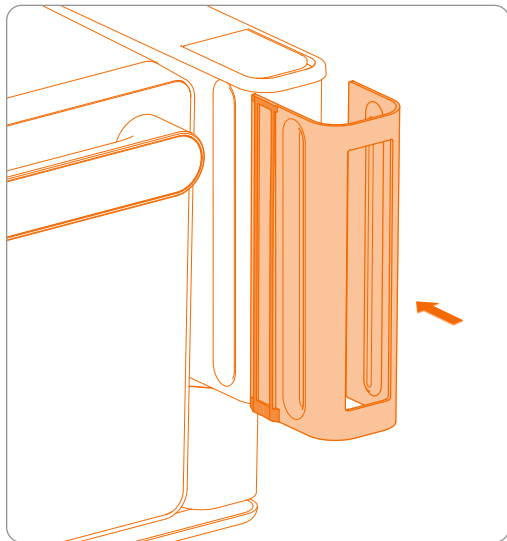


INSTALLATION

WATER TANK COVER

The water tank cover fits over the front of the water tank and clips into the finger grips for a secure, tight fit providing a barrier between the steam venting and your water tank.

- ▶ Sit the water tank on the tank base but do not push it back into the locked position.
- ▶ Pickup the tank base cover. With the long edge to the left (door side) push the cover onto the front of the water tank.
NOTE: The tank cover will need to flex open to clip into place correctly.
- ▶ Once the tank cover is on, slide your water tank with the tank cover back into the locked position.



ANOVA CULINARY



ANOVACULINARY.COM

SUPPORT@ANOVACULINARY.COM